



**SPARE PARTS CATALOGUE  
ERSATZTEILKATALOG  
CATALOGUE PIECES DETACHEES  
CATALOGO PARTI RICAMBIO  
CATALOGO DE PIEZAS DE RECAMBIO  
CATALOGO PECAS, DE REPOSICAO**

Catalogo parti di ricambio valido  
dalla matricola 4328706 ad oggi (17/11/2021)

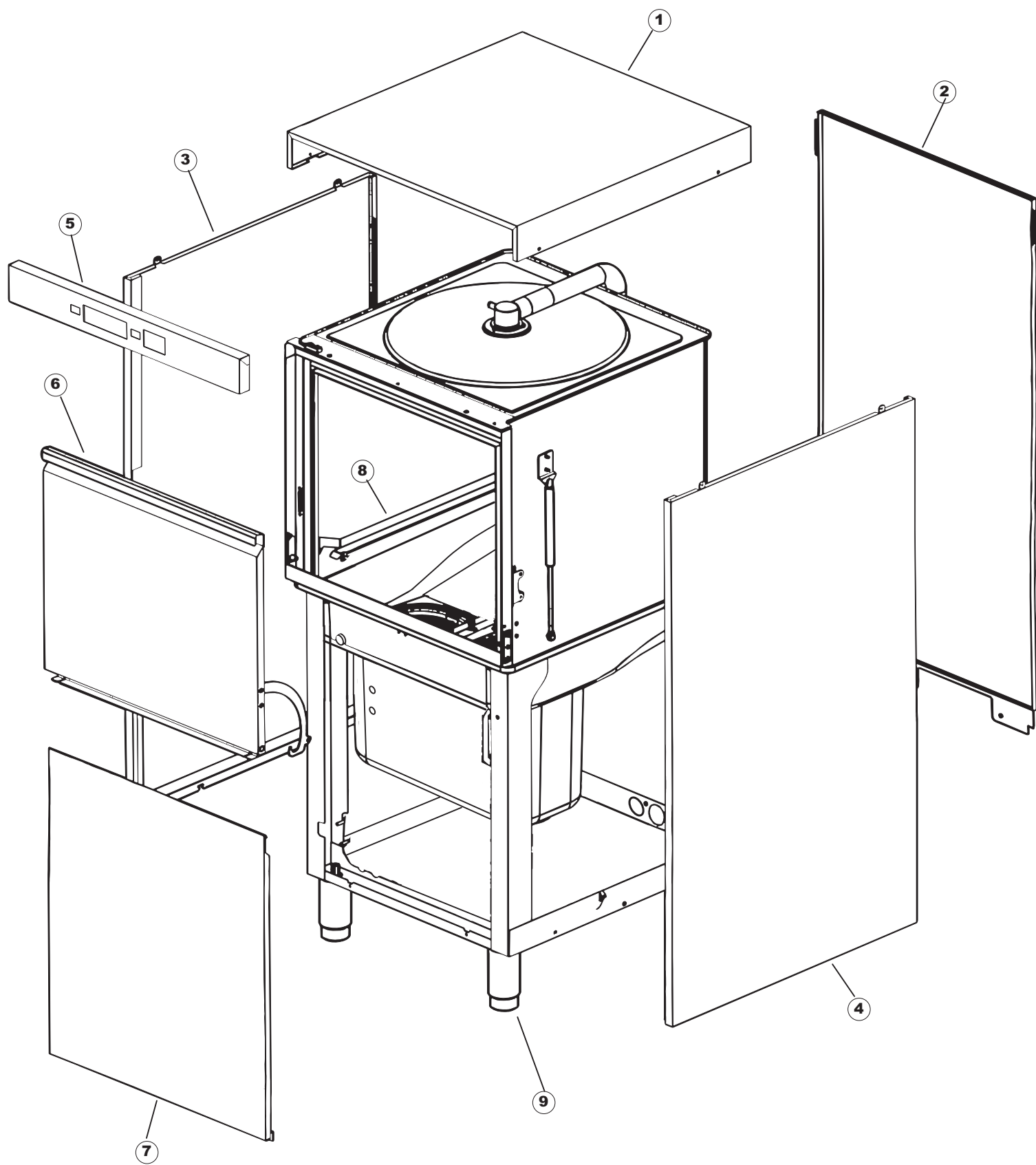
Catalogue pieces detachees  
du numero de Série n. 4328706 jusqu'à aujourd'hui (17/11/2021)

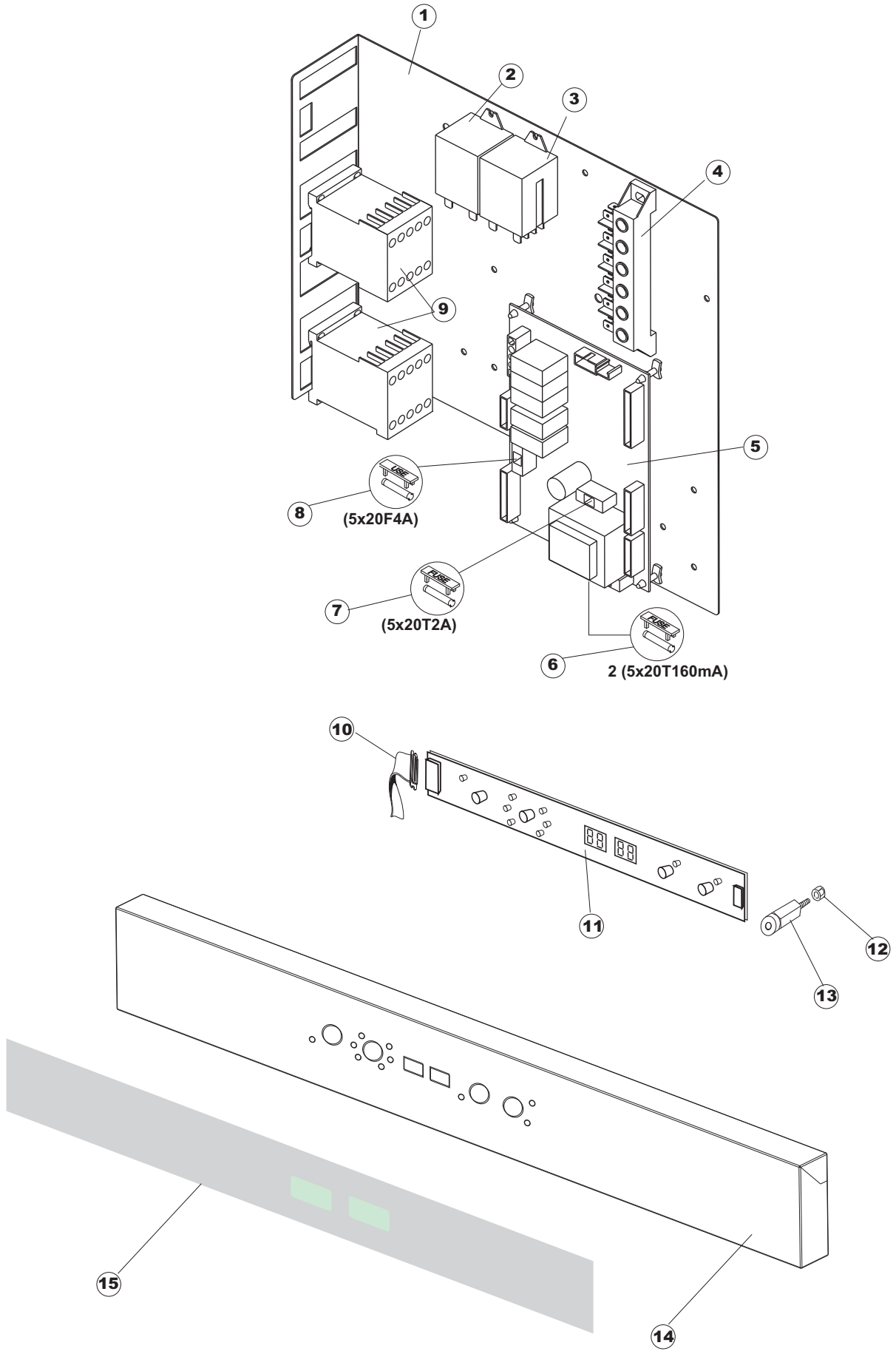
Ersatzteilkatalog  
gültig ab Serien-Nr. 4328706 bis heute (17/11/2021)

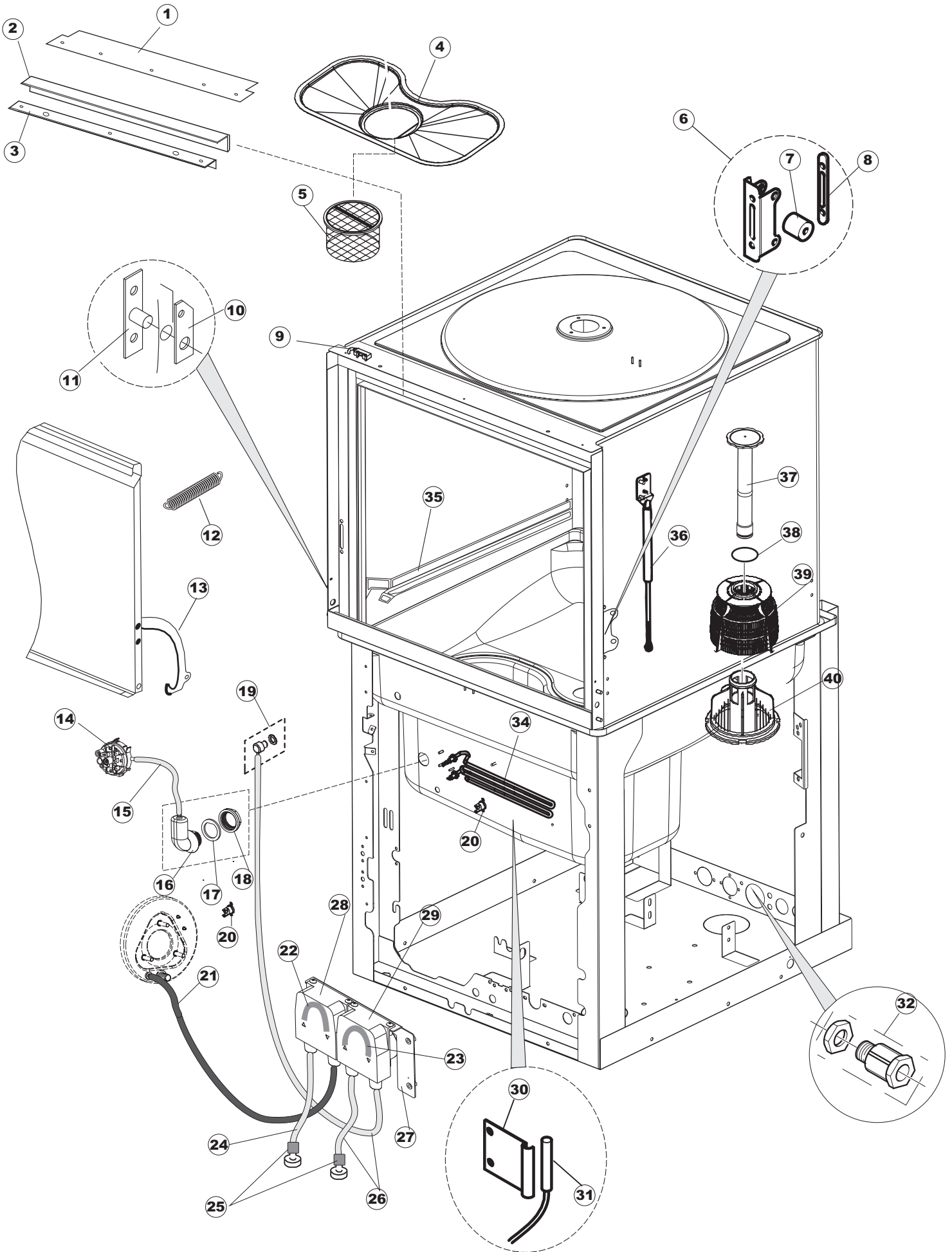
Spare parts catalogue  
valid from serial no. 4328706 up today (17/11/2021)

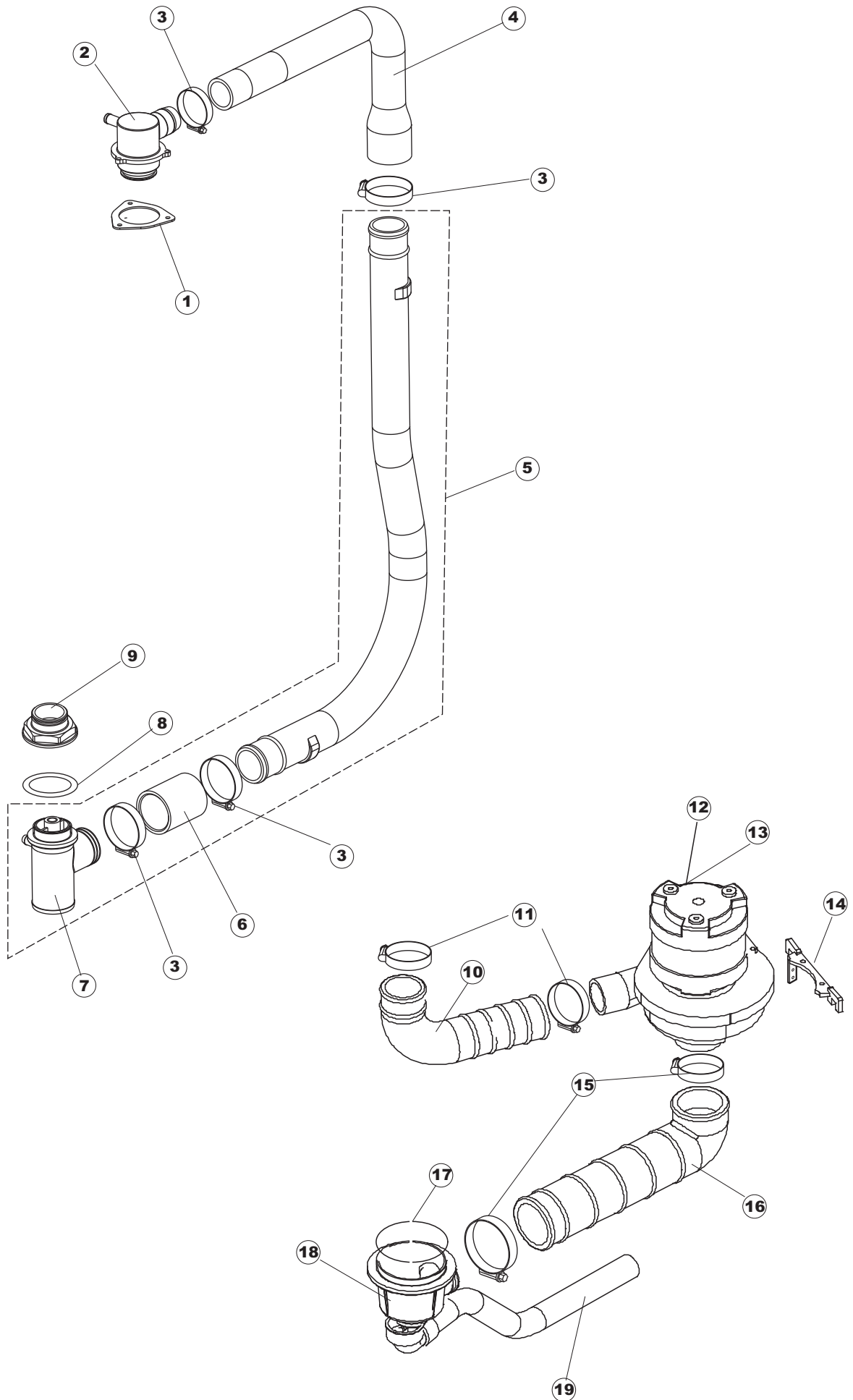
Catálogo de peças de reposição  
válido do número de série 4328706 até hoje (17/11/2021)

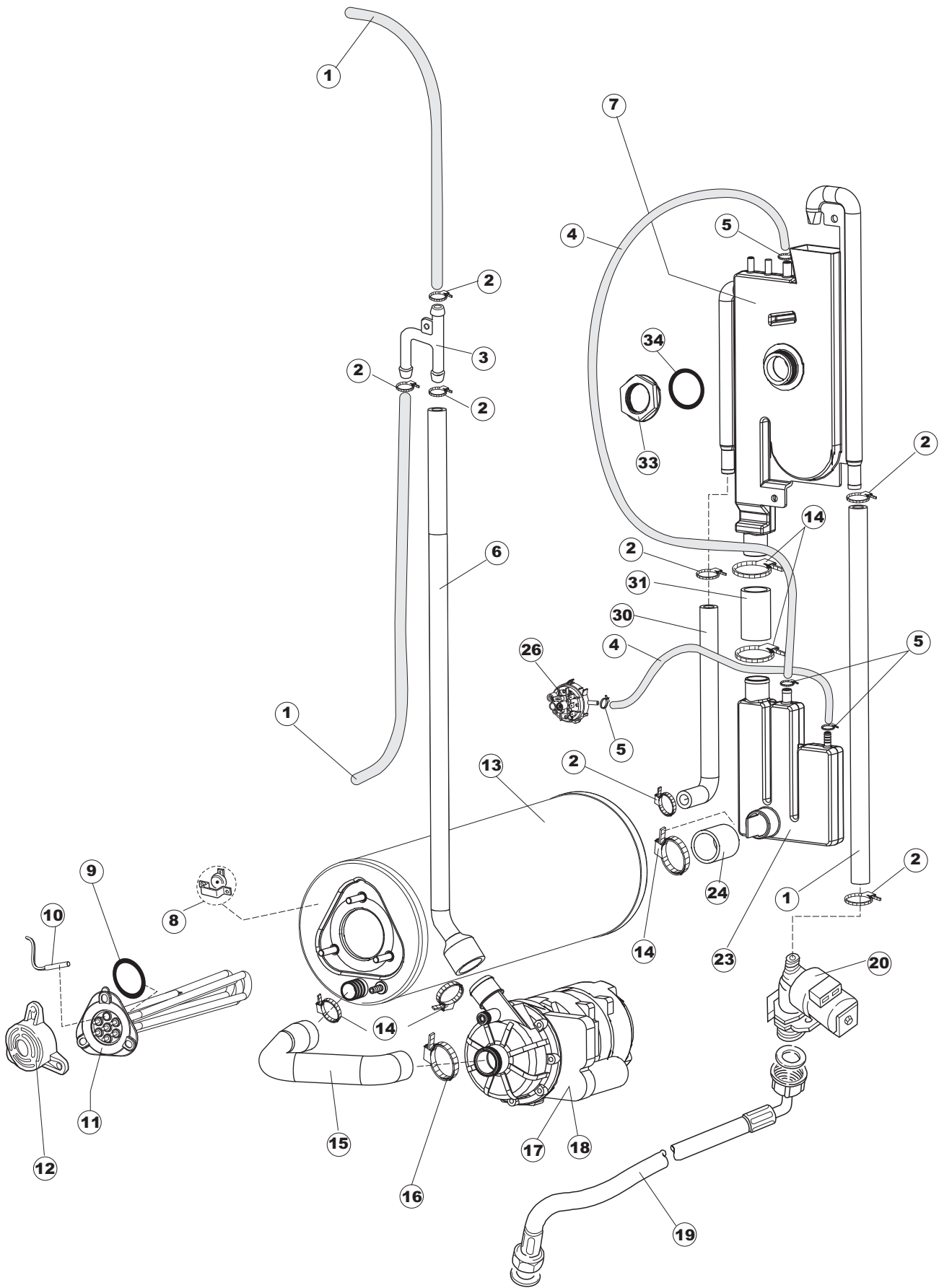
**LP5020**

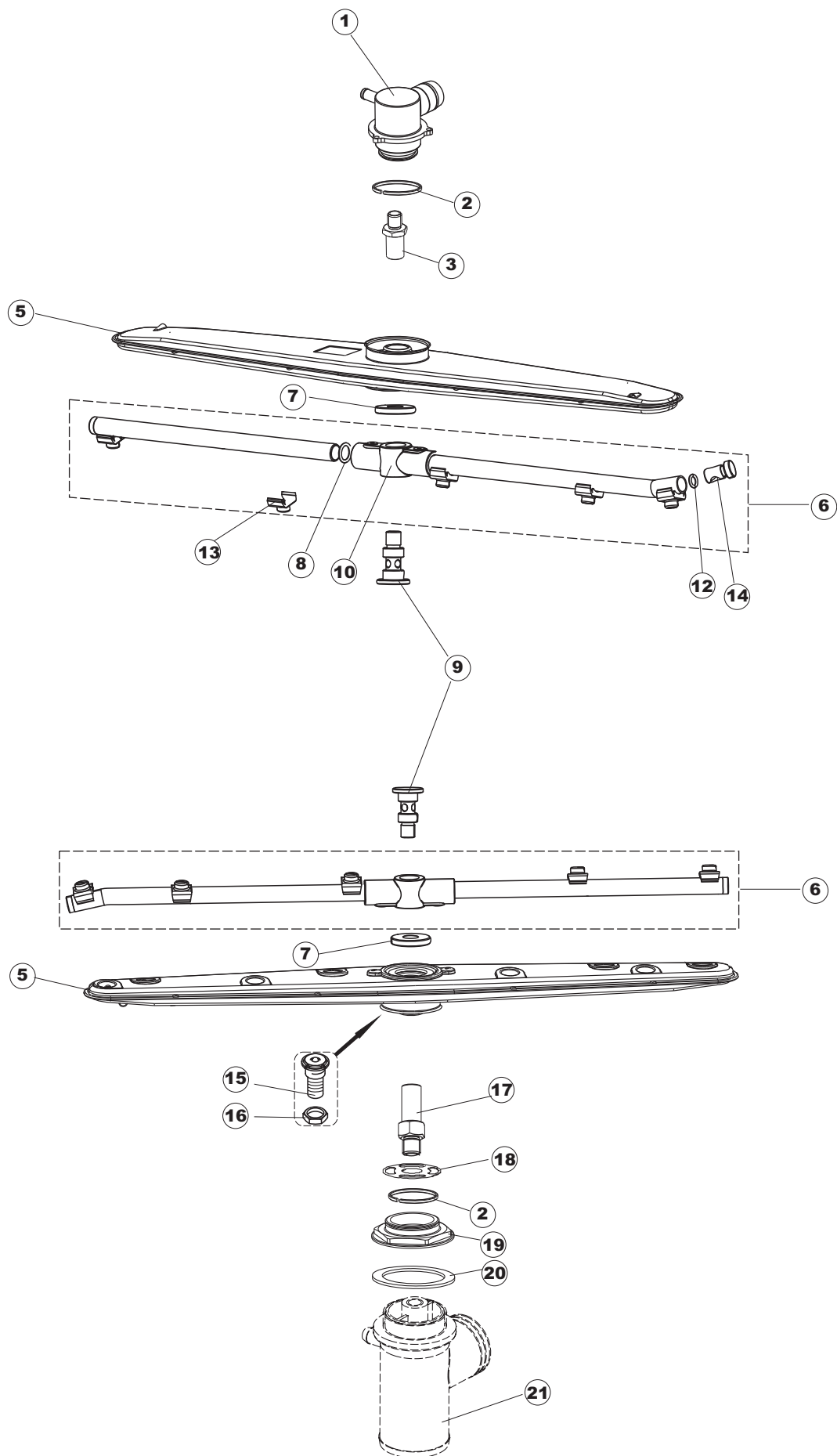


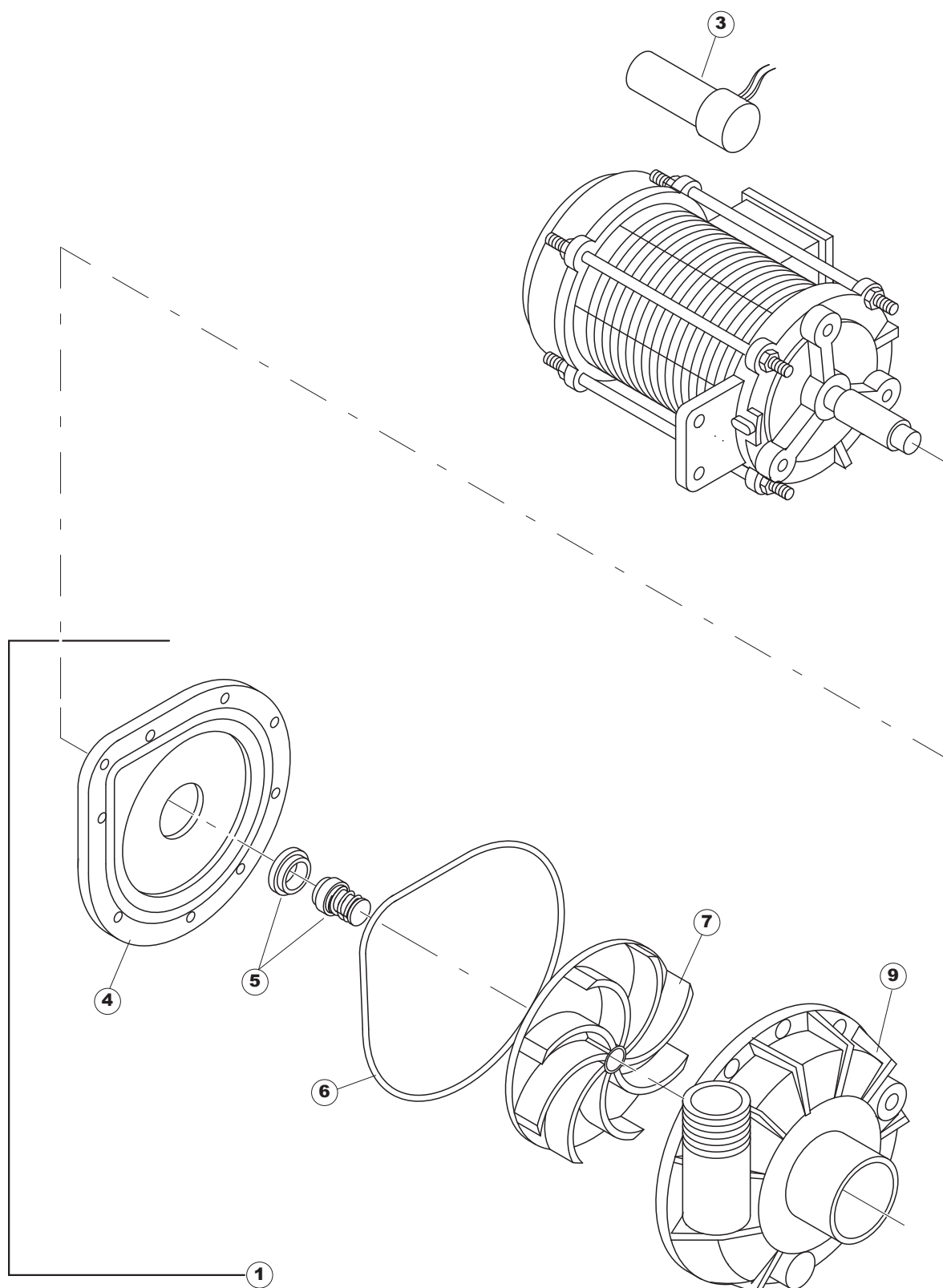






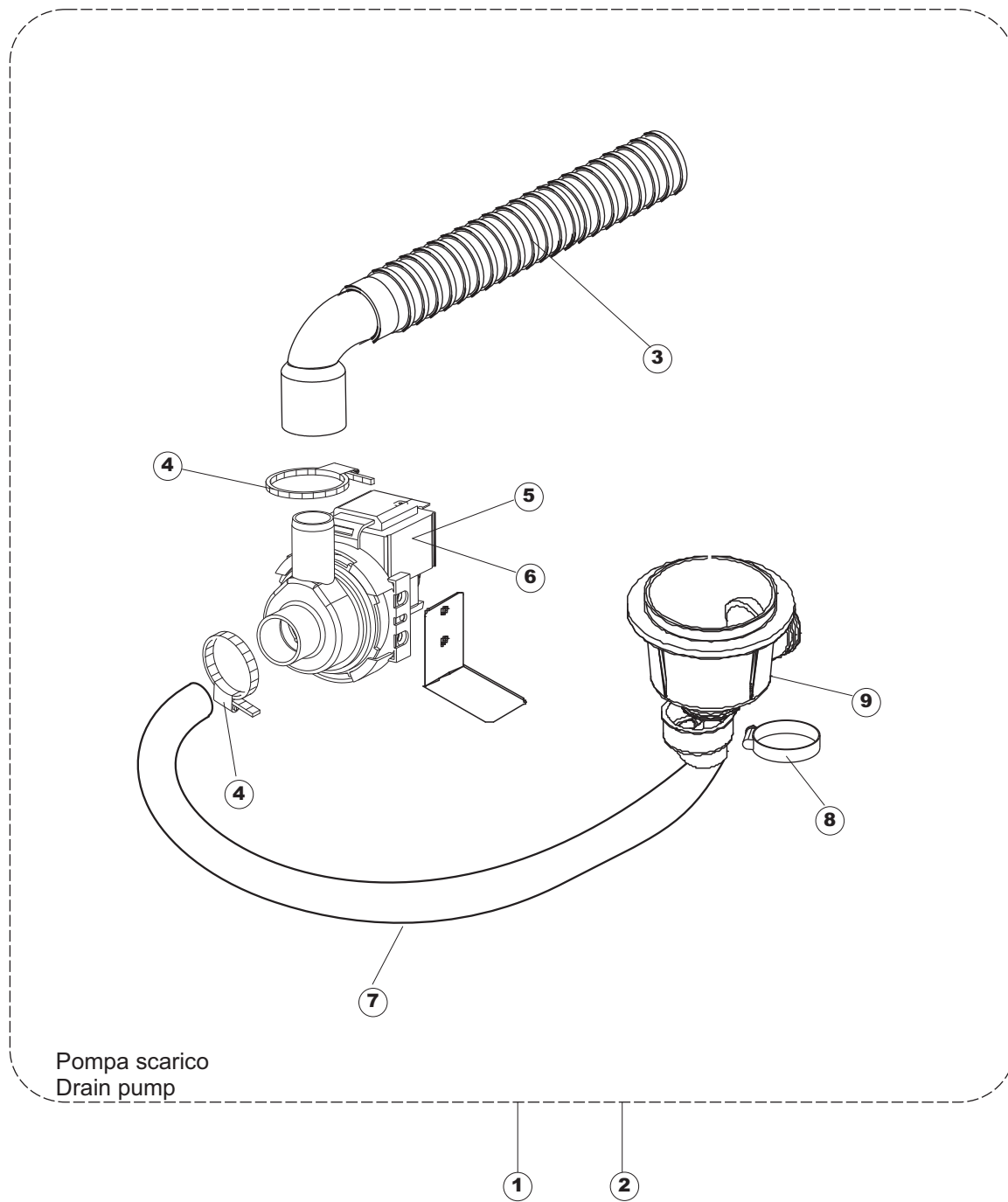






**(CAM1733)**





(\*) Recommended spare part.

Page	Spare part position	Spare part code no.	Old code number	Description	U.m.
1	1	35030		COVER	NR
1	2	35045		BACK PANEL	NR
1	3	35040		LEFT SIDE PANEL	NR
1	4	35035		RIGHT SIDE PANEL	NR
1	5	35605		CONTROL PANEL	NR
1	6	35008		DOOR	NR
1	7	35050		FRONT PANEL	NR
1	8	35500		PRICE TO BE DEFINED	
1	9	927006		FOOT	NR
2	1	80459		WIRING PANEL	NR
2	2	DER111		PRICE TO BE DEFINED (PART NR. REPLACED BY 229029)	
2	2	229029		RELAY	NR
2	3	929115		RELAY 16A 230V	NR
2	4	220011		TERMINAL BLOCK	NR
2	5	215032-1		MAIN BOARD	NR
2	6	228012		FUSE	NR
2	7	228011		FUSE	NR
2	8	228004		FUSE (PART NR. REPLACED BY 228010)	
2	8	228010		FUSE	NR
2	9	80350		PRICE TO BE DEFINED (PART NR. REPLACED BY 73350)	
2	9	73350		CONTACTOR	NR
2	10	80934		FLAT CABLE	NR
2	11	227084		PUSH BUTTONS ASSEMBLY	NR
2	12	417119		NUT	NR
2	13	419036		INTERFACE BOARD DISTANCE KEEPERS	NR
2	14	35056		CONTROL PANEL	NR
2	15	35194		CONTROL ADHESIVE INTERFACE	NR
3	1	35005PZ		SQ.FISSAGGIO CRUSCOTTO LP92 LASERATO	NR
3	2	35017		PART NUMBER NO LONGER AVAILABLE	
3	3	35016		PRICE TO BE DEFINED	
3	4	80415		STAINER	NR
3	5	80159		PRICE TO BE DEFINED (PART NR. REPLACED BY 70159)	

(\*) Recommended spare part.

Page	Spare part position	Spare part code no.	Old code number	Description	U.m.
3	5	70159		TANK STRAINER BASKET	NR
3	6	35300		DOOR-STOP BAR	NR
3	7	35105		STOP RUN HOOD	NR
3	8	307012		DOOR STOPPER DRIVE	NR
3	9	80871		MAGNETIC DOOR SWITCH	NR
3	10	35510		SPESSORE LATERALE SPORTELLO LP92	NR
3	11	35060		CERNIERA SPORTELLO LP92	NR
3	12	35020		SPRING DOOR	NR
3	13	35300		DOOR-STOP BAR	NR
3	14	69850		PRESSURE SWITCH TYPE 45/22	NR
3	15	143131		PIPE	MT
3	16	70600		AIR TRAP FOR PRESSURE SWITCH	NR
3	17	437098		GASKET	NR
3	18	417120		NUT	NR
3	19	999348		DETERGENT TANK FITTING	NR
3	20	926189		CONTACT SAFETY-THERMOSTAT	NR
3	21	143005		LINEN RUBBER PIPE 5X12 - BLACK	MT
3	22	143261		HOSE	NR
3	23	143258		"SANTOPRENE" PIPE	NR
3	24	H.775601		PIPE	MT
3	25	121075		PRICE TO BE DEFINED (PART NR. REPLACED BY 121993)	
3	25	121993		FILTER AID DISPENSER	NR
3	26	143194		PIPE	MT
3	27	80952		SUPPORT BRACKET	NR
3	28	209042		DOSING PUMP	NR
3	29	209043		DETERGENT DOSING PUMP	NR
3	30	H.775489-001		SUPPORT TEMPERATURE PROBE	NR
3	31	231016		TEMPERATURE PROBE	NR
3	32	929103		CABLE GLAND	NR
3	34	70562		HEATING ELEMENT	NR
3	35	35500		PRICE TO BE DEFINED	
3	36	35070		SPRING	NR

(\*) Recommended spare part.

Page	Spare part position	Spare part code no.	Old code number	Description	U.m.
3	37	80249		OVERFLOW PIPE	NR
3	38	CGR4131NT		O-RING	NR
3	39	121081		STAINER	NR
3	40	429038		RING NUT	NR
4	1	437064		GASKET	NR
4	2	35604		UPPER MAIN MANIFOLD	NR
4	3	CFS1A		HOSE CLAMP	NR
4	4	35603		PIPE	NR
4	5	35400		PIPE	NR
4	6	80189		DELIVERY WASH HOSE	NR
4	7	80179		PIPE FITTING	NR
4	8	80182		GASKET	NR
4	9	80285		RING NUT	NR
4	10	80188		DELIVERY WASH HOSE	NR
4	11	CFS2		CLAMP, TORRO W1/W2B 50-70/12	NR
4	12	80134		WASHPUMP	NR
4	13	80113HZ		WASHPUMP	NR
4	14	80545		SUPPORT BRACKET	NR
4	15	CFS3		CLAMP, HOSE-TYPE TORRO W2B 60-80/12	NR
4	16	80186		SUCTION PIPE	NR
4	17	456040		O-RING	NR
4	18	136020		ASPIRATION AND DRAIN BODY	NR
4	19	143136		DRAIN HOSE	NR
5	1	143010		RUBBER PIPE 12X19,5	MT
5	2	927322		HOSE CLAMP	NR
5	3	143268		JUNCTION "Y"	NR
5	4	143131		PIPE	MT
5	5	423026		CABLE TIE	NR
5	6	41525		RINSE DELIVERY TUBE(CRP)	NR
5	7	144021		BREAK TANK	NR
5	8	926189		CONTACT SAFETY-THERMOSTAT	NR
5	9	456002		O-RING	NR

(\*) Recommended spare part.

Page	Spare part position	Spare part code no.	Old code number	Description	U.m.
5	10	231016		TEMPERATURE PROBE	NR
5	11	230083C		HEATING ELEMENT 6KW	NR
5	12	69870		BOILER HEATING ELEMENT PROTECTION	NR
5	13	104061		BOILER	NR
5	14	CFS18		HOSE CLAMP	NR
5	15	69068		PIPE	NR
5	16	423008		PRICE TO BE DEFINED	
5	17	80627		RINSE PUMP 50 HZ	NR
5	18	80629		RINSE PUMP 60 HZ	NR
5	19	143270		INLET WRAS PIPE	NR
5	20	240018		SOLENOID VALVE	NR
5	23	144032		LOADING SYSTEM BOILER CRP WITH BELL PRESSURE SWITCH	NR
5	24	127095		BOILER PIPE	NR
5	26	224002		PRESSURE SWITCH TYPE 110-60	NR
5	30	143131		PIPE	MT
5	31	929171		RUBBER PIPE 20X29	MT
5	33	417125		NUT	NR
5	34	437104		GASKET	NR
6	1	35604		UPPER MAIN MANIFOLD	NR
6	2	80184		SEALING RING	NR
6	3	80282		PIVOT	NR
6	5	80311		COMPLETE WASH ARM	NR
6	6	69677		COMPLETE RINSE ARM	NR
6	7	K80679		RING NUT M12 WITH TEFLON WASHER	NR
6	8	456019		O-RING	NR
6	9	80644		PIVOT	NR
6	10	69632		BODY ARM	NR
6	12	456030		O-RING	NR
6	13	140036		RINSE JET	NR
6	14	926132		PLASTIC RINSE ARM CAP	NR
6	15	80310		GREY WASH ARM HOLDER (RAL 7001)	NR
6	16	80314		PART NUMBER NO LONGER AVAILABLE (PART NR. REPLACED BY 926128)	

(\*) Recommended spare part.

Page	Spare part position	Spare part code no.	Old code number	Description	U.m.
6	16	926128		HUB SUPPORT NUT FOR WASHING ARMS FOR DISHWASHERS MOD L51/52 (S6695)	NR
6	17	80283		BOTTOM PIVOT	NR
6	18	80316		FLOW REDUCER	NR
6	19	80285		RING NUT	NR
6	20	80182		GASKET	NR
6	21	80179		PIPE FITTING	NR
7	1	80134		WASHPUMP	NR
7	3	80191		CAPACITOR	NR
7	4	80196		PRICE TO BE DEFINED	
7	5	80193		GASKET	NR
7	6	80199		GASKET	NR
7	7	80197		ELECTROPUMP IMPELLER	NR
7	9	80198		PRICE TO BE DEFINED	
8	1	69702		PRICE TO BE DEFINED	
8	2	69702HZ		DRAIN PUMP KIT	NR
8	3	DZS151		DRAIN HOSE	NR
8	4	CFS18		HOSE CLAMP	NR
8	5	130177		PRICE TO BE DEFINED	
8	6	130181		PART NUMBER NO LONGER AVAILABLE	
8	7	127056		PUMP ASPIRATION SLEEVE	NR
8	8	CFS1A		HOSE CLAMP	NR
8	9	136020		ASPIRATION AND DRAIN BODY	NR